

MOSFiTM 

Registered with MSME (Govt. of India)

Powered by Alaska Automation Pvt. Ltd.

An ISO 9001:2015 Company

10 Years

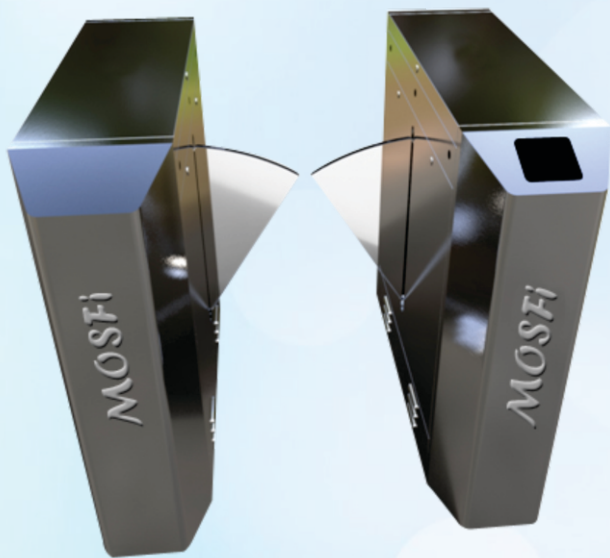


**Guaranteed availability
of Original & Genuine Parts**

ECONOMY 401 M.S Flap Barrier (SINGLE LANE)

Features :

MOSFi machines are designed with the mindframe for providing quick & authorized pedestrian access control according to global need.



▶ At time of designing and manufacturing we must take care of core values like security of premises, block unauthorized entry, with no noise during operation and safety of people who are using Mosfi machine.

▶ **MOSFi** ECONOMY SERIES Flap barrier are made up of mild steel-18 gauge sheet with powder coated paint for Esthetic look Standard color is (Grey) but our clients can choose the colour as per there interier design. it can also be take customize flap embossing as per there org, name and logo & sheets can be 16 gauge/14 gauge.

▶ **MOSFi** ECO SERIES machine are decorated with **ANTI CRASH SENSOR** (for safety of user), **ANTICONGULATION SENSOR** (blocking of two person entry), **ANTI PINCH FUNCTION** (support with requirements of fire fighters), **AUTO CLOSE MODE** (in prescribed time **DIRECTION CONTROL** (for pedestrian IN/OUT).

Designed in Italy
100%
Make in India

India's No.1 Manufacturer of Entrance Automation Product



10 Years



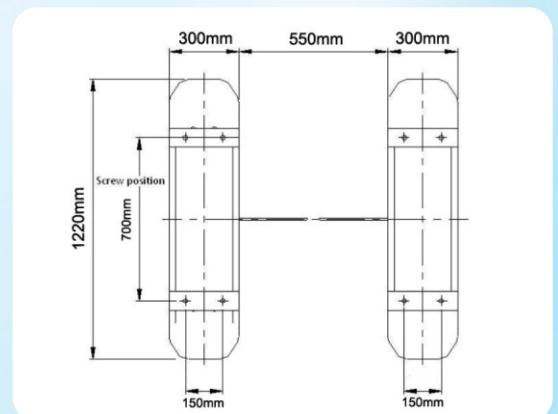
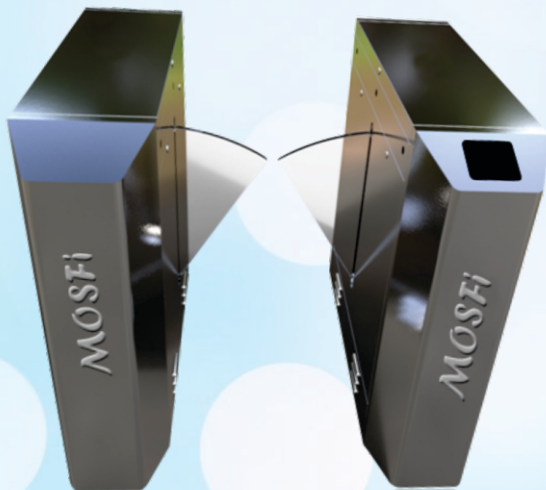
Registered with MSME (Govt. of India)
 Powered by Alaska Automation Pvt. Ltd.
 An ISO 9001:2015 Company

Guaranteed availability of Original & Genuine Parts

Specification :

MODEL NO ECO 301 M.S FLAP BARRIER

| | | | |
|--------------------|------------------------|--------------------------|--------------------------------|
| Passage Width: | Up To 550 mm | Mother board: | MOSFI IB-280 |
| MATERIAL | MILD STEEL 18 Guage | Anti crash sensor: | IN-BUILT |
| Operating time: | 2Sec | Anti Coagulation censor: | IN-BUILT |
| FLAP LED INDICATOR | No | Auto close censor: | IN-BUILT |
| Paint | Powder coated(Custom) | Alarm: | Anti side access/Block passage |
| FLAP DIMENSION | 280mm*340mm | Access through: | S.Card+Pin+Push button |
| BODY DIMENSION | 800*300*880 | User capacity: | 300 User |
| Opening direction: | BIDIRECTIONAL | Verification Mode: | 3 Mode |
| DRIVE VOLTAGE | DC 24-V | IP PROTECTION: | IP43 |
| POWER | AC 220-V 50/60HZ | Working Humidity: | 20% To 60% |
| Power consumption | 80 W | Working Temp: | -5 To 55 deg C |



Kindly Note : AAPL Reserve the rights to make changes at any stage without any prior notice. Color & Shape may be changed from time to time.